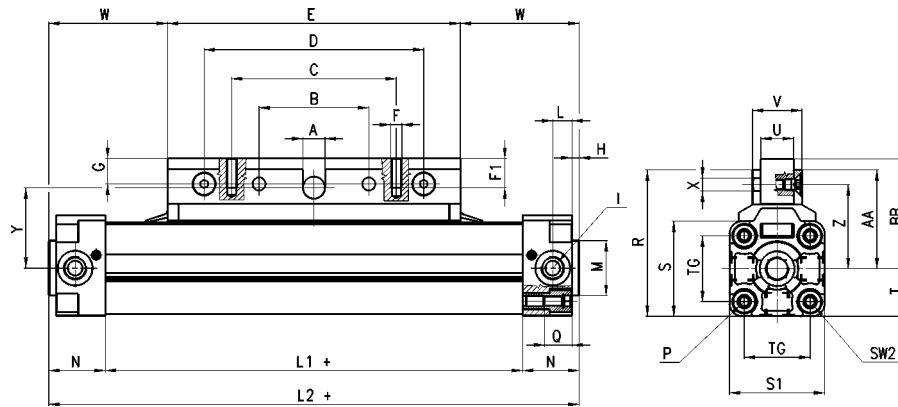


Cylinders Mod. 50M2P..

Standard.



DIMENSIONS

Series	∅cyl.	A	B	C	D	E	F	F1	G	H	I	L	L1	L2	M	N	P	Q	R	S	S1	T	U	V	Z	X	Y	W	AA	BB	TG	SW2
50	16	5	32	48	64	76	M4	8	6	2	M5	5.3	100	130	16	15	M3	8	42.5	28	27	13.5	10	18	24	4.5	24.5	27	29	30	18	4
50	25	8	50	80	100	120	M5	10	13	2.5	G1/8	9.5	150	200	22	25	M5	13.5	63	40	40	20	15	23	33	5.5	38	40	43	46	27	6
50	32	12	60	90	120	160	M6	15	14	4	G1/4	10.5	188	250	30	31	M6	15	80	52	52	26	18	27	46	7	48.5	45	54	60	36	6
50	40	12	55	90	110	150	M6	12	12	4	G1/4	17.5	226	300	35	37	M6	15	88.5	63	63	31.5	18	28	49	7	51	75	57	61	43	6
50	50	12	70	110	140	180	M6	12	12	4	G1/4	13.5	272	350	40	39	M8	16	103	74.5	76	38	18	28	57	7	59	85	65	69	53	10
50	63	16	90	140	180	220	M8	16	15	4	G3/8	17.5	342	430	45	44	M8	16	125	92	94	47	19	30	68	9	70	105	78	83	67	10
50	80	20	120	180	240	280	M10	20	18	4	G1/2	32	408	520	45	56	M10	18.5	153.5	115.5	117	58.5	20	32	83	11	86	120	95	101	83	12

Cylinders Mod. 50M2U...

Only on request.

DIMENSIONS

Series	∅cyl.	B1	B2	B3	B4	B5	B6	B7
50	16	36	4	4.5	25	40	76	50
50	25	51	5	5.5	35	50	120	70
50	32	66	6	7	40	50	160	90
50	40	66	6	7	45	60	150	80
50	50	74	6	7	45	60	180	100
50	63	89	7	9	60	80	220	130
50	80	108	8	11	75	100	280	180

