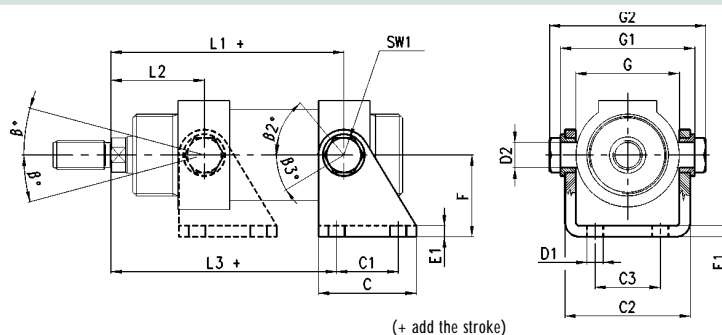


## Trunnion Mod. I...

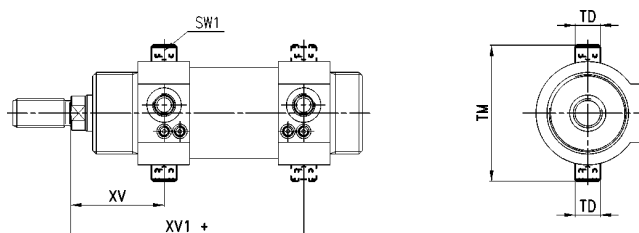


(+ add the stroke)

## DIMENSIONS

Mod.	∅	L1	L2	L3	C	C1	C2	C3	D1	D2	E1	F	SW1	G	G1	G2	β°	β1°	β2°	β3°
I-42-32	32	109.5	36.5	105.5	40	24	46.1	20	7	10	4	35	13	38.1	50.1	58.1	16	35	51	31
I-42-40	40	120	45	117	50	30	56.1	28	9	12	5	40	17	46.1	60.1	70.1	10	22	15	17
I-42-50	50	128.5	51.5	124.5	54	34	69.1	36	9	14	6	45	19	57.1	74.1	86.1	9	12	20	12
I-42-63	63	143	52	142	65	35	82.1	42	9	16	6	50	19	70.1	88.1	100.1	4	6	7	6

## Bracket with threaded pins (a pair) Mod. T...

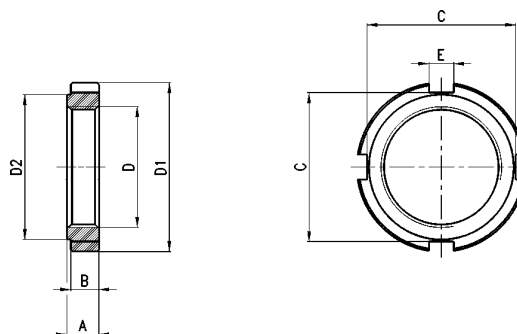


(+ add the stroke)

## DIMENSIONS

Mod.	∅	XV	XV1	TD (f7)	TM	SW1
T-42-32	32	36.5	109.5	10	51	5
T-42-40	40	45	120	12	61	6
T-42-50	50	51.5	128.5	14	75	6
T-42-63	63	52	143	16	90	8

## Nose nut Mod. V-42...



## DIMENSIONS

Mod.	∅	D	D1	D2	A	B	C	E
V-42-32	32	M30x15	42	36	8	7	37	6.2
V-42-40	40	M38x15	50	48	10	9	44	7.2
V-42-50-63	50-63	M45x15	60	56	10	9	53	7.2