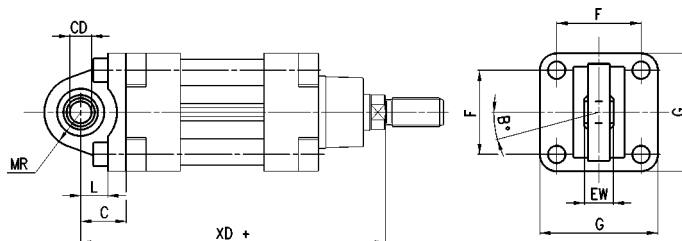


Trunnion ball-joint Mod. R*...

*not according to standard.

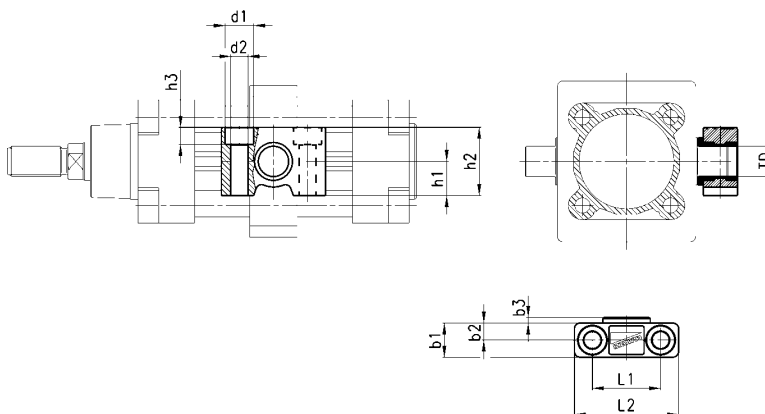


(+ add the stroke)

DIMENSIONS

Mod.	∅	CD	H9	L	C	XD ± 1.6	MR	F	G	EW - 0.1	β°
R-41-32	32	10	12	22	142	16	32.5	45	14	13	
R-41-40	40	12	15	25	160	20	38	52	16	13	
R-41-50	50	12	15	27	170	20	46.5	63	16	15	
R-41-63	63	16	20	32	190	24	56.5	73	21	15	
R-41-80	80	16	24	36	210	24	72	95	21	15	
R-41-100	100	20	29	41	230	30	89	115	25	15	

Counter bracket for centre trunnion Mod. BF...



DIMENSIONS

Mod.	∅ cyl.	TD	b1	b2	b3	L1	L2	h1	h2	h3	d1	d2
BF-32	32	12	15	7.5	3	32	46	15	30	6.8	11	6.6
BF-40-50	40-50	16	18	9	3	36	55	18	36	9	15	9
BF-63-80	63-80	20	20	10	3	42	65	20	40	11	18	11
BF-100-125	100-125	25	25	12.5	3.5	50	75	25	50	13	20	14
BF-160-200	160-200	32	35	17.5	4	60	92	30	60	16	26	18