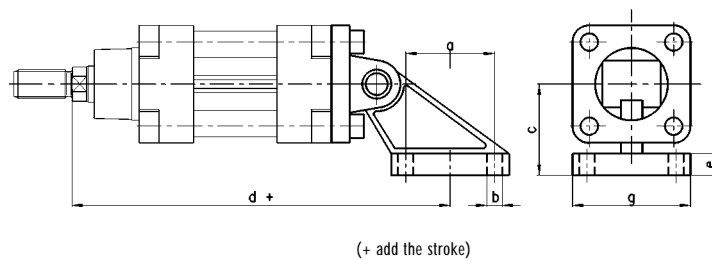


90° swivel combination Mod. Z*...

*not according to standard.

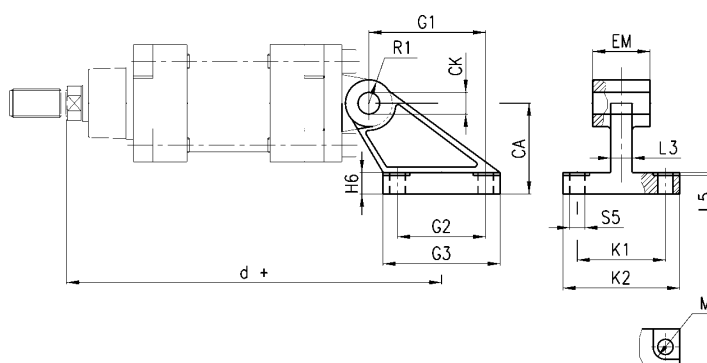
PRODUCTION
OF THIS PRODUCT
HAS NOW CEASED

**DIMENSIONS**

Mod.	∅	a	b	c	d	e	g
Z-41-32	32	33	6.5	32	166	10	45
Z-41-40	40	40	6.5	45	202	10	52
Z-41-50	50	49	8.5	45	205.5	12	65
Z-41-63	63	59	8.5	63	247	12	75
Z-41-80	80	75	10.5	63	257	14	95
Z-41-100	100	90	10.5	90	299	16	115
Z-41-125	125	110	12.5	90	360	20	140
Z-41-160	160	140	16.5	140	420	20	180
Z-41-200	200	175	16.5	140	480	25	220

90° male trunnion Mod. ZC...

According to CETOP RP 107P.

**DIMENSIONS**

Mod.	∅	M H13	CK H9	S5 H13	d	K1 JS14	K2 MAX	L3 MAX	G1 JS14	L5 MAX	G2 JS14	EM	G3 SJ14	CA JS15	H6	R1 MAX	
ZC-32	32	11	10	6.6	154	38	51	10	21	1.6	18	26	31	32	8	10	
ZC-40	40	11	12	6.6	173	41	54	15	24	1.6	22	28	-0,2	35	36	10	11
ZC-50	50	15	12	9	188	50	65	16	33	1.6	30	32	-0,6	45	45	12	13
ZC-63	63	15	16	9	209.5	52	67	16	37	1.6	35	40		50	50	12	15
ZC-80	80	18	16	11	237	66	86	20	47	2.5	40	50		60	63	14	15
ZC-100	100	18	20	11	260	76	96	20	55	2.5	50	60	-0,5	70	71	15	19
ZC-125	125	20	25	14	315	94	124	30	70	3.2	60	70	-1,5	90	90	20	22.5