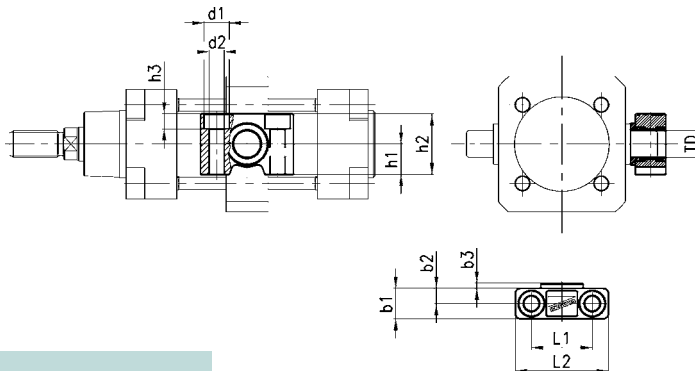




Counter bracket for center trunnion Mod. BF...

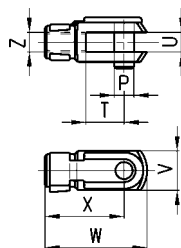


DIMENSIONS

Mod.	ø mm	TD	b1	b2	b3	L1	L2	h1	h2	h3	d1	d2
BF-160-200	160-200	32	35	17.5	4	60	92	30	60	16	26	18

Rod Fork End G...

ISO 8140.

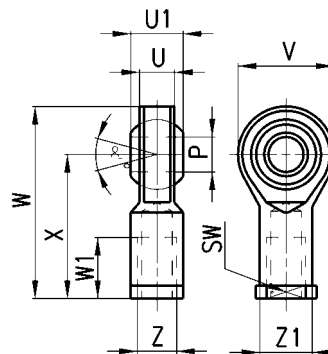


DIMENSIONS

Mod.	ø mm	P	T	U	V	W	X	Z
G-160-200	160-200	35	72	35	70	188	144	M36x2

Swivel Ball Joint Mod. GA...

ISO 8139



DIMENSIONS

Mod	ø mm	øP (H7)	U	U1	V	W	W1	X	Z	Z1	α° SW
GA-160-200	160-200	35	28	43	80	165	56	125	M36x2	46	12 50