

Series 2930, 2930N, 2940, 2960 Ball Valves - Full Flow Design - NPTF/INCH

Ports 1/4", 3/8", 1/2", 3/4", 1", 1 1/4",
1 1/2", 2", 2 1/2", 3", 4", NPTF
Nickel-Plated (2940), Chrome-Plated (2930N) and
Plain Brass (2930 and 2960)

Electroless nickel-plated: this plating offers excellent corrosion resistance, and is an FDA-approved material, making the Camozzi ball valve suitable for food packaging, chemical processing, medical, dental, water treatment, and printing markets, in addition to standard application.



TECHNICAL SPECIFICATIONS

Valve group	2/2, (way/positions)
Construction	Ball valve
Mounting	In-line
Materials	Brass body (2930 and 2960), Nickel-Plated brass body (2940), Chrome-Plated Brass Body (2930N) Zinc-plated steel handles (2940 and 2960), all others nylon Plastic handles (2930), Hardened chrome-plated brass ball Teflon seat (P.T.F.E.)
Threaded port sizes	1/8", 1/4", 3/8", 1/2" NPTF (2930) 1/4", 3/8", 1/2", 3/4", 1", 1-1/4", 1-1/2", 2" NPTF (2940)
Installation	In-line
Operating temperature	Series 2940 - 4°F to 300°F Series 2960 - 4°F to 340°F Series 2930 5° to 200°F
Fluid	Filtered air (for others, check with factory)

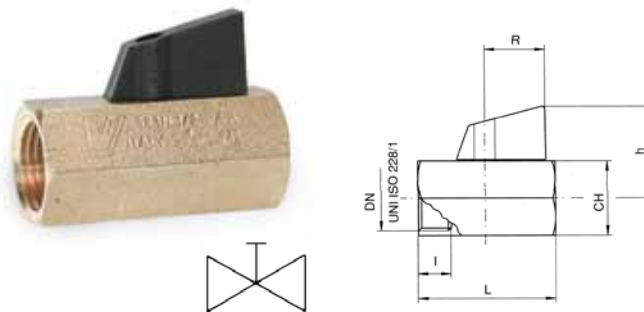
PNEUMATIC DATA

Working pressure	Series 2940: 1/4", 3/8", 1/2"	710 psi	2-1/2"	- 260 psi
	3/4", 1"	570 psi	3"	- 230 psi
	1-1/4", 1-1/2"	430 psi	4"	- 200 psi
			2"	- 360 psi
Nominal flow	Series 2930: 1/4", 3/8", 1/2"	220 psi		
	Series 2960: All sizes	400 psi		
Nominal flow		Full flow design		

Mini Ball Valve, Series 2930

These valves are constructed of all brass body, hardened chrome-plated brass ball, teflon seat, and light weight plastic handle.

Kv - Flow coefficient in M³/h → 100kPa differential pressure (ΔP 14.5 psi)



DIMENSIONS (in inches)

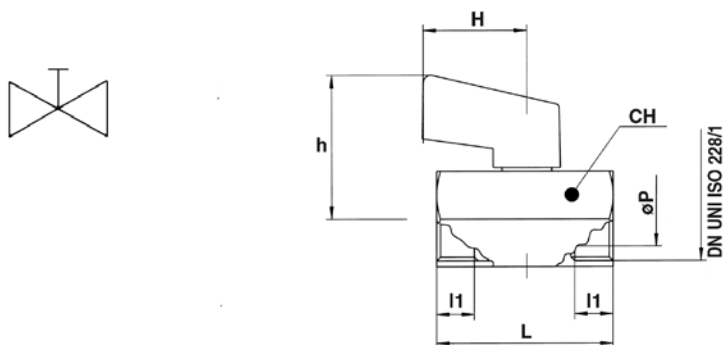
Economical Ball Valves

Mod.	DN(NPTF)	σ P	CH	I	h	L	R	Cv	PSI	LBS	Kv(M ³ /h)	Kg
2930 1/8PT	1/8"	0.31	0.82	0.27	1.16	1.61	0.80	5.00	450	0.25	4.3	0.11
2930 1/4PT	1/4"	0.31	0.82	0.39	1.16	1.69	0.80	5.00	450	0.20	4.3	0.10
2930 3/8PT	3/8"	0.31	0.82	0.40	1.16	1.69	0.80	5.00	450	0.25	4.3	0.11
2930 1/2PT	1/2"	0.39	0.98	0.53	1.24	2.16	0.80	6.26	450	0.28	5.4	0.13

Mini Ball Valve, Series 2930 N

These valves are constructed of all chrome-plated, brass body, hardened chrome-plated brass ball, teflon seat, and light weight plastic handle.

Kv = Flow coefficient in M³/h → 100kPa differential pressure (ΔP 14.5 psi)



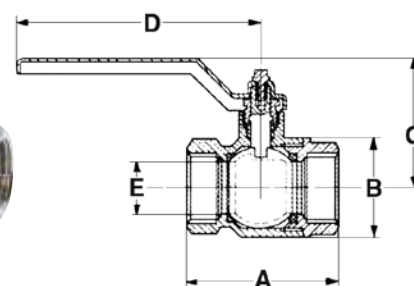
DIMENSIONS (in inches)

Economical Ball Valves (chrome-plated, brass body)

Mod.	DN(NPTF)	σ P	CH	I	h	L	R	Kv (M ³ /h)	Cv	Kg	PSI
2930 N-1/4PT	1/4"	0.31	.857	.384	1.437	1.614	1.063	4.3	5.00	0.11	450
2930 N-3/8PT	3/8"	0.31	.857	.394	1.437	1.614	1.063	4.3	5.00	0.11	450
2930 N-1/2PT	1/2"	0.39	.984	.433	1.484	1.811	1.063	5.4	6.26	0.14	450

Ball Valve, Series 2940

These valves are constructed of an electroless nickel-plated brass body, a steel handle, a hardened chrome-plated brass ball, and a teflon seat. These valves are suitable for industrial, pneumatic, hydraulic, and various domestic installations. Among the various types of compounds which can be transported through these valves are steam, gasoline, fuel, oils, kerosene, acids, and compressed air.



DIMENSIONS

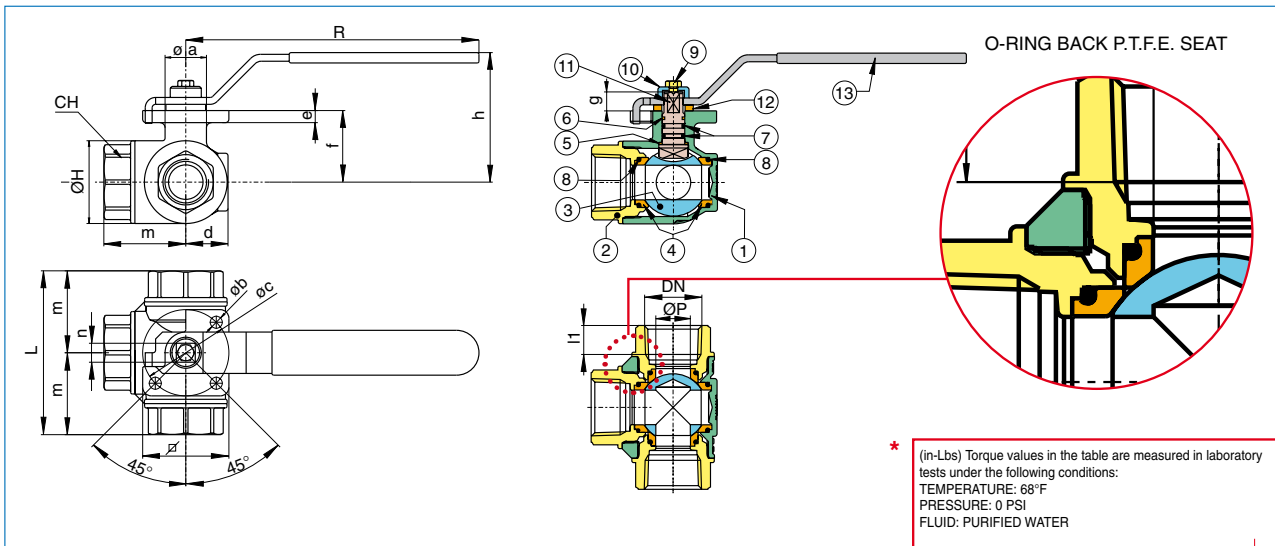
Electroless Nickel-Plated		A		B		C		D		E		Working
Mod.	NPTF Thread	mm	in	mm	in	mm	in	mm	in	mm	in	PSI
2940 1/4PT	1/4"	44.4	1.748	23.5	0.925	37.0	1.457	80.0	3.150	10.0	0.394	710
2940 3/8PT	3/8"	44.4	1.748	24.0	0.945	37.0	1.457	80.0	3.150	10.0	0.394	710
2940 1/2PT	1/2"	50.5	1.988	30.5	1.201	41.0	1.614	80.0	3.150	15.0	0.591	710
2940 3/4PT	3/4"	57.5	2.264	37.0	1.457	55.0	2.165	113.0	4.449	20.0	0.787	570
2940 1PT	1"	70.0	2.756	45.5	1.791	59.0	2.323	113.0	4.449	25.0	0.984	570
2940 1 1/4PT	1-1/4"	80.5	3.169	57.0	2.244	74.5	2.933	137.5	5.413	32.0	1.260	430
2940 1 1/2PT	1-1/2"	94.0	3.701	70.0	2.756	80.5	3.169	137.5	5.413	40.0	1.575	430
2940 2PT	2"	112.5	4.429	84.0	3.307	96.5	3.799	157.0	6.181	50.0	1.968	360
2940 2 1/2PT	2-1/2"	128.0	5.039	96.0	3.780	109.0	4.291	197.0	7.756	54.0	2.126	260
2940 3PT	3"	148.0	5.827	119.0	4.685	126.0	4.961	250.0	9.842	65.0	2.559	230
2940 4PT	4"	169.0	6.654	138.0	5.433	135.0	5.315	250.0	9.842	80.0	3.150	200



Min/Max working temperature: -20°C/+150°C (-4°F/+302°F)

Ball Valve, Series 2960 L-Passage, 3-way/2-position, Lockable

These valves are constructed of a brass body, a steel handle, a hardened chrome-plated brass ball, and a teflon seat. These valves are suitable for industrial, pneumatic, hydraulic, and various domestic installations. Among the various types of compounds which can be transported through these valves are steam, gasoline, fuel, oils, kerosene, acids, and compressed air.



N POS	PART NAME	MATERIAL	N PCS	SIZE	ØP	ØH	l1	L	m	CH	R	h	Øa	Øb	Øc	d	e	f	g	∠	n	CV	psi	Lbs	* in-Lbs
1	BODY	BRASS CW 617 NUNI EN 12165	1	1/4"	0.39	1.34	0.39	2.64	1.32	0.86	4.72	2.44	0.87	0.23	1.42 (ISO F03)	0.77	0.20	1.20	0.35	1.49	0.35	3.26	400	1.22	53.10
2	END CONNECTION	BRASS CW 617 NUNI EN 12165	3	3/8"	0.43	1.34	0.40	2.64	1.32	0.86	4.72	2.44	0.87	0.23	1.42 (ISO F03)	0.77	0.20	1.20	0.35	1.49	0.35	3.50	400	1.16	53.10
3	BALL	BRASS CW 617 NUNI EN 12165	1	1/2"	0.43	1.34	0.53	2.87	1.44	1.06	4.72	2.44	0.87	0.23	1.42 (ISO F03)	0.77	0.20	1.20	0.35	1.49	0.35	4.20	400	1.21	53.10
4	BALL SEAT	P.T.F.E	4	3/4"	0.59	1.53	0.55	3.19	1.60	1.25	4.72	2.52	0.87	0.23	1.42 (ISO F03)	0.87	0.20	1.29	0.35	1.49	0.35	7.00	400	1.44	53.10
5	THRUST WASHER	P.T.F.E	1	1"	0.79	1.89	0.66	3.74	1.87	1.61	6.69	2.95	0.94	0.27	1.97 (ISO F05)	1.00	0.28	1.63	0.43	1.97	0.43	12.83	400	2.64	150.46
6	STEM SEAL	P.T.F.E	1	1 1/4"	0.98	2.36	0.68	4.39	2.20	1.96	6.69	3.17	0.94	0.27	1.97 (ISO F05)	1.22	0.28	1.85	0.43	1.97	0.43	18.67	400	4.15	150.46
7	O-RING STEM	FKM (Viton®)	1	1 1/2"	1.26	2.83	0.68	4.86	2.43	2.16	6.69	3.66	1.26	0.27	1.97 (ISO F05)	1.79	0.28	2.34	0.43	1.97	0.43	29.75	400	6.02	150.46
8	O-RINGS BODY	FKM (Viton®)	4	2"	1.57	3.38	0.70	5.73	2.87	2.75	9.05	4.43	1.46	0.35	2.76 (ISO F07)	1.75	0.32	2.90	0.59	2.75	0.55	43.76	400	9.08	274.37
9	SCREW	Steel 6/S	1	2 1/2"	1.95	4.37	0.93	6.93	3.47	3.34	9.05	4.86	1.46	0.35	2.76 (ISO F07)	2.20	0.32	3.35	0.59	2.75	0.55	70.00	400	16.33	380.58
10	BUSH	BRASS CW 614 NUNI EN 12164	1	3"	1.95	4.45	1.01	7.08	3.54	4.13	9.05	4.86	1.46	0.35	2.76 (ISO F07)	2.20	0.32	3.35	0.59	2.75	0.55	70.00	400	19.55	380.58
11	STEM	BRASS CW 614 NUNI EN 12164	1																						
12	WASHER	NYLON	1																						
13	HANDLE	Fe DD 11 UNI EN 10111	1																						